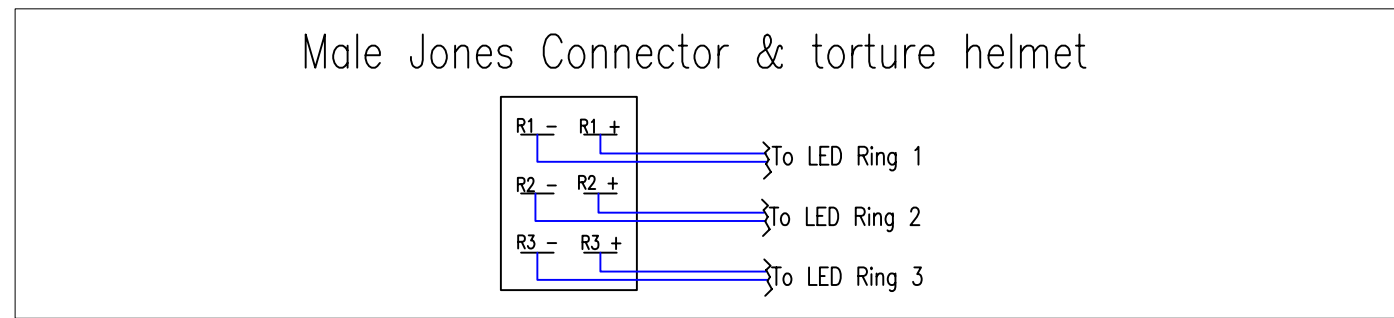
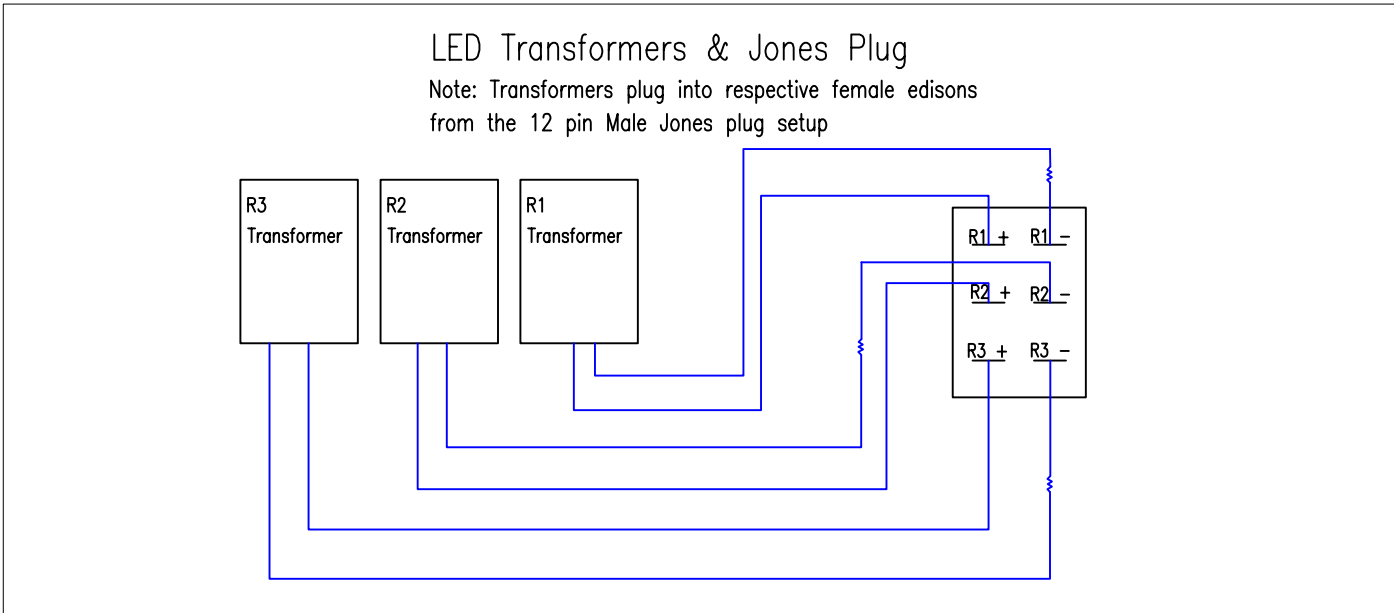
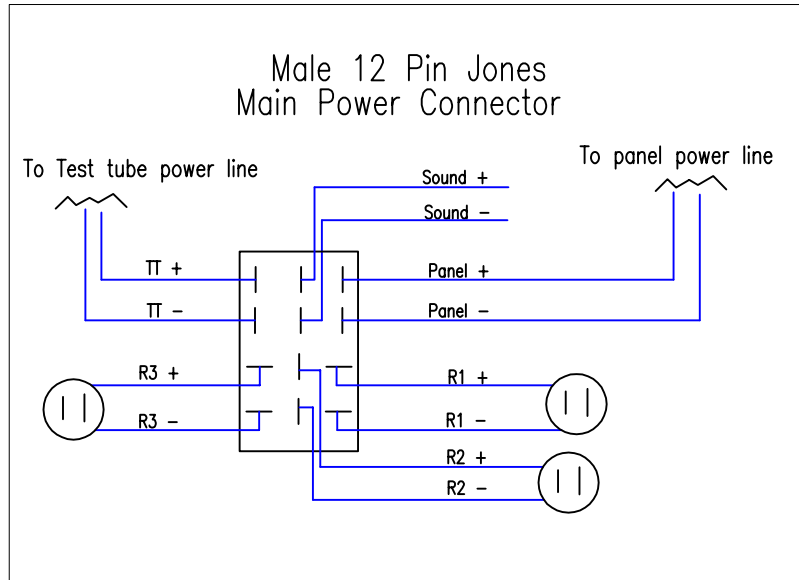
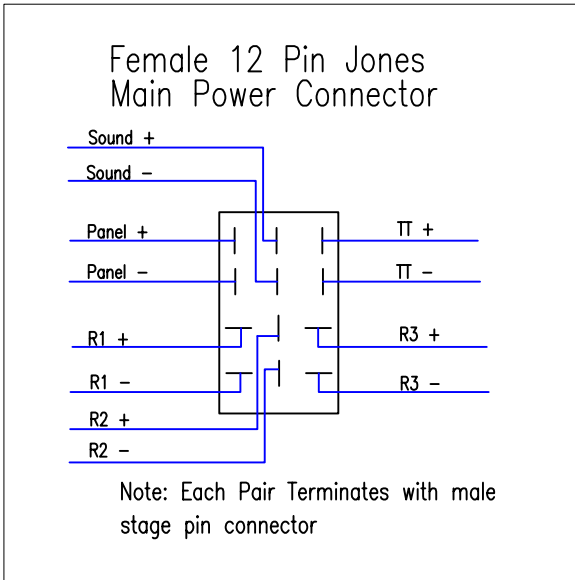


Bullshot Crummond Torture Panel Wiring Schematics

dwg by: Ruby Rubenstahl



Color Key

Panel+ White	R2+ Green
Panel- White/Black	R2- Green/Black
TT+ Red	R3+ Orange
TT- Red/Black	R3- Orange/Black
R1+ Blue	
R1- Blue/Black	

Key

TT=Test Tube
 R1=Outer Ring
 R2=Middle Ring
 R3=Inner Ring

Notes

- * All Jones plugs are shown from front
- * Cord coming from Female Jones 12 pin to Edison plugs for transformers should be 18 gauge zip